

6MP HD *LightHunter* IR Fixed Turret

IPC6T



Key Features

Optics

- High Quality Image With 6MP, 1/2.7" CMOS Sensor
- 6MP (3072*2048)@25/20fps; Triple Streams To Offer More Choices To Clients In An Integrated Solution
- LightHunter Technology Ensures Ultra High Quality In Low-lit areas
- Upto 120 dB Optical WDR

Compression

- Ultra 265, H.265, H.264, MJPEG

Structure

- Built-in Mic
- Supports 256 GB Micro SD Card

Smart

- Smart Intrusion, Cross Line, Enter And Leave Area Detection
- Face Capture
- People Counting, Crowd Density Monitoring, Suitable for different Statistical Scenarios

Accessories



IPBTS

Eyeball Surface Box



IPBTW

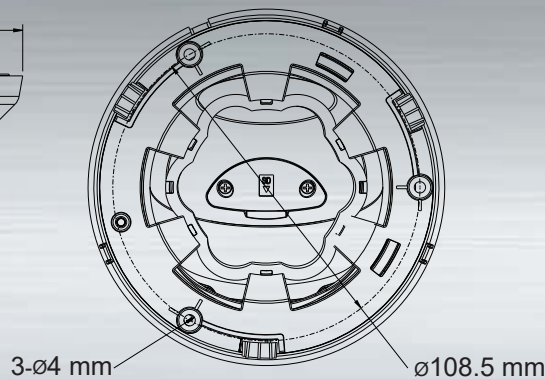
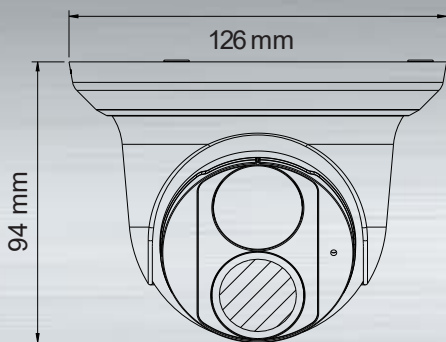
Eyeball Wall Mount Bracket



IPBPM

Pole Mount Adapter

Dimensions



Camera		IPC6T	
Sensor	1/2.7" 6MP Progressive Scan CMOS		
Lens	Fixed Iris 2.8 mm @ F1.6	Field Of View: H101.34° V54.46° D119.72°	
Angle of View	112.7° (H), 60.1° (V), 146.5° (O)		
Adjustment Angle	0-360° Pan, 0-80° Tilt, 0-360° Rotate		
Shutter	Auto/Manual, 1-1/100000 s		
Minimum Illumination	Colour: 0.0025 Lux (F1.6, AGC ON) 0 Lux with IR		micron IP
IR Range	Up to 30 m (98.4 ft) IR Range		
Day/Night	IR Cut Filter with Auto Switch (ICR)	Smart IR: Supported	
S/N	>52 dB		
WDR	120 dB		
HLC & BLC	Supported		
Video			
Video Compression	Ultra 265, H.265, H.264, MJPEG		
Frame Rate	6MP (3072*2048), Max 25fps; 4MP (2560x1440), Max 30fps; 3MP (2304x1296), Max 30fps; 1080P (1920x1080), Max 30fps		
Video Bitrate	128 Kbps-16 Mbps		
U-code	Supported		
OSD	Up to 8 OSDs		
Privacy Mask	Up to 4 Areas		
ROI	Up to 8 Areas		
Video Stream	Triple Streams		
Smart			
Intrusion Prevention	Line Crossing, Intrusion, Enter Area, Leave Area		
Basic Detection	Motion Detection, Tamper Alarm, Audio Detection		
General Function	Watermark, IP Address Filtering, ARP Protection, Access Policy, RTSP, User and HTTP Authentication		
Statistical Analysis	People Flow Counting and Crowd Density Monitoring		
Storage			
Edge Storage	Micro SD up to 256 GB		
Network			
Protocols	IPv4, IPv6, IGMP, ICMP, ARP, TCP, UDP, DHCP, PPPoE, RTP, RTSP, RTCP, DNS, DDNS, NTP, FTP, UPnP, HTTP, HTTPS, SMTP, 802.1x, SNMP, QoS, SSH		
Interface			
Built-in Mic	Supported		
Network	1 * RJ45 10M/100M Base-TX Ethernet		
General			
Power	DC 12 V ±25%, or PoE	Power Consumption: 5W	
Dimensions (Ø x H)	111 x 95 mm		
Weight	0.45 Kg	Material: Metal	
Working Environment	-30°C-60°C, Humidity ≤95% RH (Non-condensing)		
Ingress Protection	IP67		