

DHI-ARD2251E-W2(V)

Dahua Wireless External PIR-Camera (Only compatible with ARC3800H series)



Series Overview

Wireless Triple-Tech Detector performs high precision detection using PIR, microwave detection technology, optical technology and intelligent algorithms. It also eliminates interference caused by small animals, the ambient temperature and changes in the light to ensure that the detector accurately recognizes when people move, even in complex environments. When combined with the camera module, its capabilities expand allowing you to both monitor your scene through videos and images, and check alarms in real time. You also receive alarm notifications when alarms are triggered, so that you can stay up to date on the situation of your site.

Technical Specification

Video & Audio

Field of View	110° (H); 60° (V)
Image Type	JPEG
Resolution	1280 × 960; 640 × 480; 320 × 240; 160 × 120
Frame Rate	2
Illumination Mode	Infrared Light
Day/Night Switch	Color/Black and White

Function

Indicator Light	1 × green alarm indicator
Button	1 × power switch; 1 × detection range adjustment switch
Remote Update	Cloud update
Low Battery Detection	Yes
Tamper	Tamper alarm
Moving detection	Yes

- Supports anti-masking detection.
- Supports moving detection to prevent someone move or detach device.
- Supports video verification.
- IR illumination range of 15 m at night.
- Pet immunity: up to 80 cm, 40 kg.
- Supports environment temperature monitoring.
- Supports two-way communication and frequency hopping to make communication with alarm hub stable and reliable.
- Features cloud update. You can also remotely update the device on the mobile app.
- Offers a dual backup system, and uses auto recovery when an update fails.

Technical

Detection Mode	PIR + Microwave
Sensitivity	PIR: 3 levels adjustable
Detection Range	Angle:90° Range:15 m (49.21 ft), the installation height is 1 m (3.28 ft)
Detection Speed	0.3 m/s–2 m/s
Pet Immunity Level	<80 cm (2.62 ft), about 40 kg (88.19 lb)
White Light Resistance Level	10,000 lux
Anti-masking	Yes
Two-way Digital Temperature Compensation	Yes
Scenario	Outdoor, indoor
Operating Current	20 uA
Alarm Current	Without Camera: 26 mA (Avg); 250 mA (Max) With Camera in Night: 380 mA (Avg); 1.5 A (Max)

Wireless

Carrier Frequency	433.1 MHz–434.6 MHz
Communication Mechanism	Two-way
Communication Distance	RF: Up to 1,200 m (3,937.01 ft) in an open space RF-HD: Up to 1,000 m (3280.84 ft) in an open space
Encryption Mode	AES128
Frequency Hopping	Yes

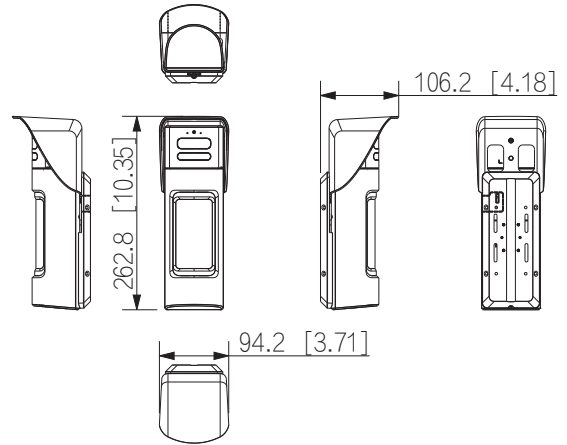
General

Power Supply	CR123A × 4
Battery Life	Without Camera: 5 years (triggers 10 alarms a day) With Camera: 3.5 years (triggers alarms twice a week)

Wireless Triple-Tech Detector | DHI-ARD2251E-W2(V)

Operating Temperature	-25 °C to +60 °C (-13 °F to +140 °F)
Operating Humidity	10%–90% (RH)
Product Dimensions	263 mm × 106 mm × 94 mm (10.35" × 4.17" × 3.70")
Installation Height	0.8 m–1.3 m (2.62 ft–4.27 ft)
Net Weight	0.76 kg (1.68 lb)
Gross Weight	1.06 kg (2.34 lb)
Installation	Wall mount, pole mount
Casing Material	PC + GF
Protection	IP65
Certifications	CE
Anti-corrosion Level	Basic Protection
Storage Temperature	-25 °C to +60 °C (-13 °F to +140 °F)
Storage Humidity	10%–90% (RH)
Packaging Dimensions	297 mm × 146 mm × 120 mm (11.69" × 5.75" × 4.72")

Dimensions (mm[inch])



Application

Ordering Information

Type	Model	Description
Wireless Triple-Tech Detector	DHI-ARD2251E-W2(V)	Dahua Wireless External PIR-Camera (Only compatible with ARC3800H series)
Accessories	ARA34E	Detector Bracket

Accessories

Optional:



ARA34E
Detector Bracket

